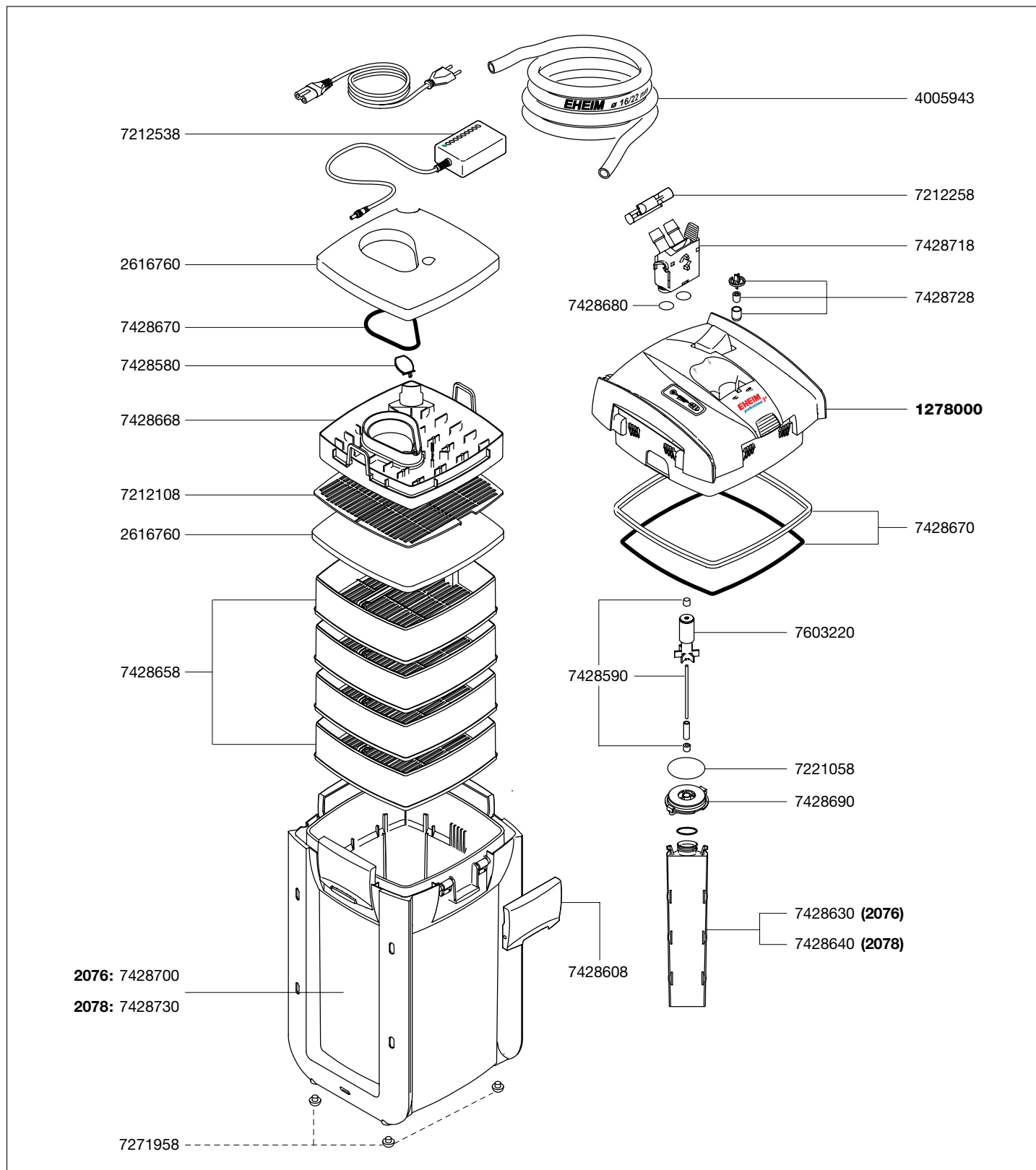


1278 Pump head
2076 External filter
2078 External filter



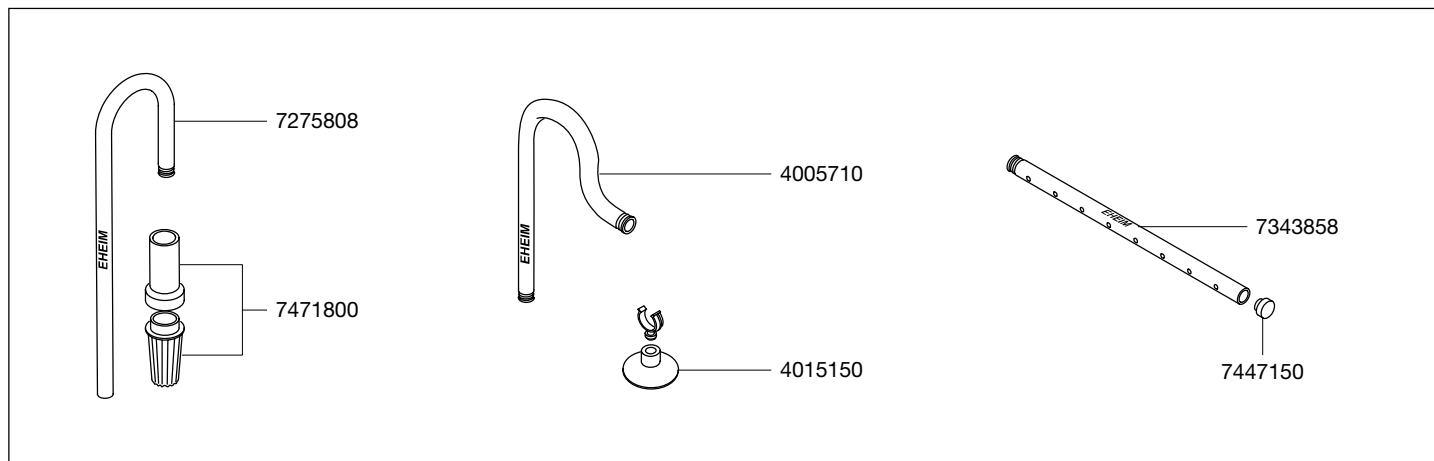
Spare parts. Subject to change without prior notice.



1278 Pump head
2076 External filter
2078 External filter



Spare parts. Subject to change without prior notice.



| Order no. | Spare part | 2076 / 2078 |
|-----------|--|-------------|
| 1278000 | Pump head complete for 2076 / 2078 (without adapter and transformer) | |
| 2616760 | Set 1 x filter pad and 4 x fine filter pads | |
| 4005710 | Outlet pipe | |
| 4005943 | Hose, pressure and suction side ø 16/22 mm (3 m) | |
| 4015150 | Suction cup with clip (2 pieces) | |
| 7212108 | Lattice screen | |
| 7212258 | Hose clamp complete | |
| 7212538 | Transformer | |
| 7221058 | Sealing ring for pump cover | |
| 7271958 | Rubber feet set (5 pieces) | |
| 7275808 | Intake pipe | |
| 7343858 | Outlet jet pipe | |

| Order no. | Spare part | 2076 / 2078 |
|-----------|---|-------------|
| 7428580 | Valve with holder | |
| 7428590 | Shaft with bushings and distance sleeve (electronic) | |
| 7428608 | EZ clips complete | |
| 7428630 | Separation screen with sealing ring for 2076 | |
| 7428640 | Separation screen with sealing ring for 2078 | |
| 7428658 | Filter media container | |
| 7428668 | Prefilter complete with valve and sealing ring | |
| 7428670 | Set of sealing rings (for pump and canister) | |
| 7428680 | Set of sealing rings (for adapter and separation screen) | |
| 7428690 | Pump cover complete with sealing ring and bushings | |
| 7428700 | Filter canister with side protection for 2076 | |
| 7428730 | Filter canister with side protection for 2078 | |
| 7428718 | Adapter complete | |
| 7428728 | Floater complete | |
| 7447150 | Set of pipe plugs | |
| 7471800 | Inlet strainer | |
| 7603220 | Impeller for 50 Hz and 60 Hz (electronic) | |